

**JUMO GmbH & Co. KG**

Delivery address: Mackenrodtstraße 14  
36039 Fulda, Germany  
Postal address: 36035 Fulda, Germany  
Phone: +49 661 6003-0  
+49 661 6003-607  
Fax: +49 661 6003-607  
E-mail: mail@jumo.net  
Internet: www.jumo.net

**JUMO Instrument Co. Ltd.**

JUMO House  
Temple Bank, Riverway  
Harlow, Essex CM20 2DY, UK  
Phone: +44 1279 635533  
+44 1279 635262  
Fax: +44 1279 635262  
E-mail: sales@jumo.co.uk  
Internet: www.jumo.co.uk

**JUMO Process Control, Inc.**

6733 Myers Road  
East Syracuse, NY 13057, USA  
Phone: 315-437-5866  
1-800-554-5866  
Fax: 315-437-5860  
E-mail: info.us@jumo.net  
Internet: www.jumousa.com



# Panel-Mounted Thermostat

## Type 606220

### Special features

- Compact design
- Terminals at the back
- Control range +20 to +90 °C
- Available as temperature controller (TR)

### Brief description

The panel-mounted thermostat of the 606220 series controls thermal processes and is available as temperature controller (TR).

The panel-mounted thermostat operates according to the liquid expansion principle. The electrical switching element is a snap-action switch.



Type 606220

**JUMO GmbH & Co. KG**  
 Delivery address: Mackenrodtstraße 14  
 36039 Fulda, Germany  
 Postal address: 36035 Fulda, Germany  
 Phone: +49 661 6003-0  
 Fax: +49 661 6003-607  
 E-mail: mail@jumo.net  
 Internet: www.jumo.net

**JUMO Instrument Co. Ltd.**  
 JUMO House  
 Temple Bank, Riverway  
 Harlow, Essex CM20 2DY, UK  
 Phone: +44 1279 635533  
 Fax: +44 1279 635262  
 E-mail: sales@jumo.co.uk  
 Internet: www.jumo.co.uk

**JUMO Process Control, Inc.**  
 6733 Myers Road  
 East Syracuse, NY 13057, USA  
 Phone: 315-437-5866  
 1-800-554-5866  
 Fax: 315-437-5860  
 E-mail: info.us@jumo.net  
 Internet: www.jumousa.com



## Technical data

### Switching function

<b>Temperature controller (TR)</b>	If the temperature on the temperature probe exceeds the setpoint value, the microswitch is activated by the transmission mechanics and the electrical circuit is opened or closed. If the temperature falls below the selected setpoint value (by the amount of the switching differential), the microswitch is reset to its initial position.
------------------------------------	--

### Case

<b>Case</b>	Sheet steel, zinc-plated
<b>Protection type</b>	IP 00 according to EN 60529
<b>Switching socket</b>	Plastic
<b>Max. admissible ambient temperature</b>	For transport and storage: -20 to +55 ° When in use: max. +55 °C
<b>Rated position (NL)</b>	Any
<b>Weight</b>	Approx. 70 g
<b>Capillary</b>	1500 mm including 500 mm protective tubing as standard, min. bending radius of the capillary 5 mm Material: stainless steel (CrNi)

### Electrical data

<b>Electrical contact</b>	Snap-action switch with single-pole changeover contact	
<b>Switching capacity</b>	On the N/C contact (contact deck 1-2): AC 230 V +10 %, 16 A	
<b>Temperature controller (TR)</b>	On the N/O contact (contact deck 1-4): AC 230 V +10 %, 0.5 A	
<b>Electrical connection</b>	A 6.3-0.8 according to DIN 46244	
<b>Switching reliability</b>	To ensure a high switching reliability, we recommend a minimum load of: AC / DC = 24 V, 100 mA with silver contacts	
<b>Switching differential in °C</b>	Approx. 5 °C +/- 2 °C	
<b>Ambient temperature influence</b>	When the ambient temperature on the switching head and the capillary deviates – from the calibration ambient temperature of +22 °C – a switching point offset occurs: higher ambient temperature = lower switching point lower ambient temperature = higher switching point	
<b>Switching point accuracy</b>	Scale beginning ±6 %	Scale end ±4.5 %

### Mounting / Application

<b>in liquid media</b>	operate <b>only</b> with a protection tube
<b>in air</b>	do <b>not</b> use protection tube

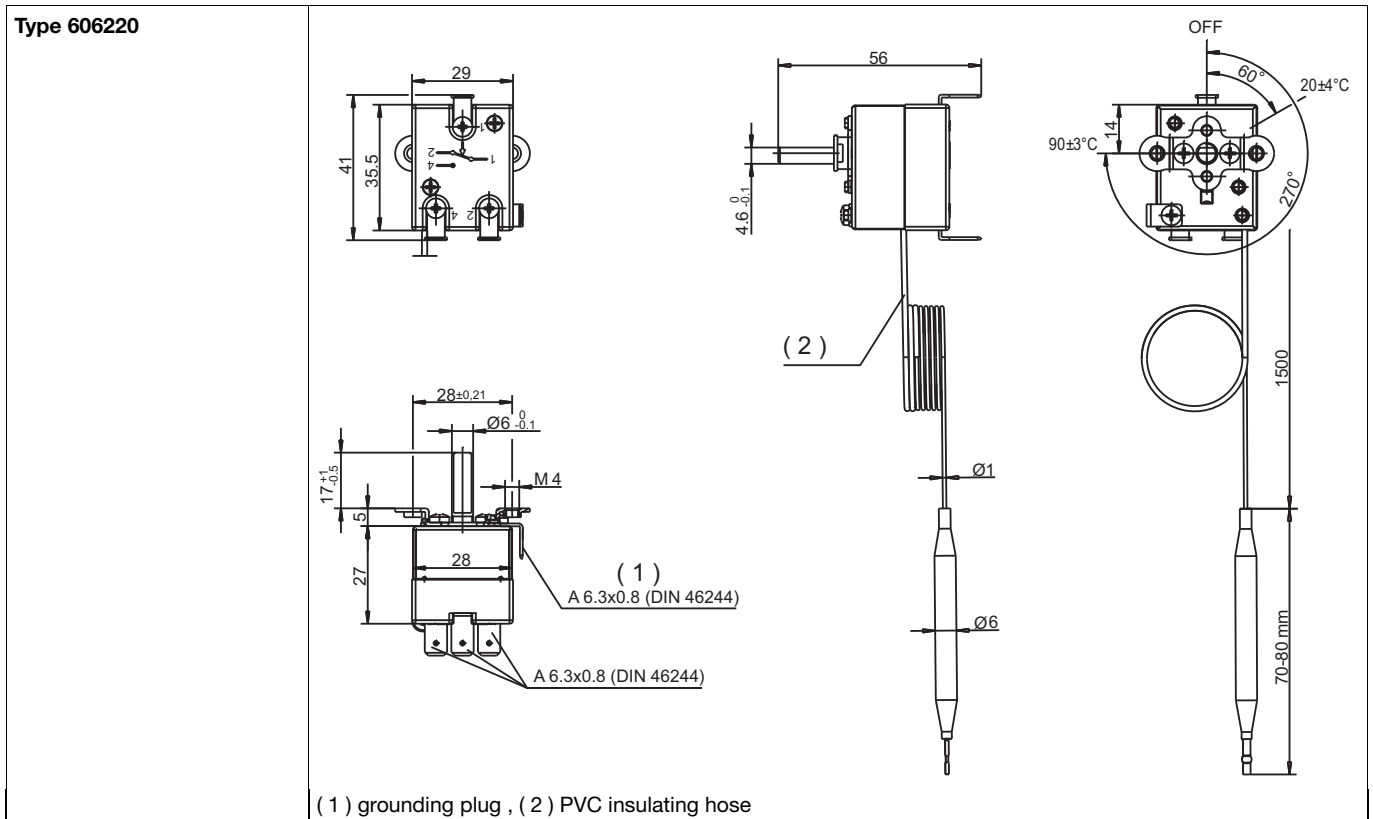
**JUMO GmbH & Co. KG**  
 Delivery address: Mackenrodtstraße 14  
 36039 Fulda, Germany  
 Postal address: 36035 Fulda, Germany  
 Phone: +49 661 6003-0  
 Fax: +49 661 6003-607  
 E-mail: mail@jumo.net  
 Internet: www.jumo.net

**JUMO Instrument Co. Ltd.**  
 JUMO House  
 Temple Bank, Riverway  
 Harlow, Essex CM20 2DY, UK  
 Phone: +44 1279 635533  
 Fax: +44 1279 635262  
 E-mail: sales@jumo.co.uk  
 Internet: www.jumo.co.uk

**JUMO Process Control, Inc.**  
 6733 Myers Road  
 East Syracuse, NY 13057, USA  
 Phone: 315-437-5866  
 1-800-554-5866  
 Fax: 315-437-5860  
 E-mail: info.us@jumo.net  
 Internet: www.jumousa.com



## Dimensions



## Order details

### Stock version

Part no.	Basic type	Basic type extension	Control range °C	Capillary length	Protective tubing length	Probe-Ø
60003373	Panel-mounted thermostat type 606220	Temperature controller TR	+20 to +90	1500 mm	700 mm	6 mm

Minimum purchase order for stock items: 50 pieces

## Accessories

See product groups 606710 and 606715